

1. Features

- Typical 1dB bandwidth of 1.0 MHz
- High attenuation
- Single Ended Operation
- Surface Mounted Package (SMD)

RoHS Compliant

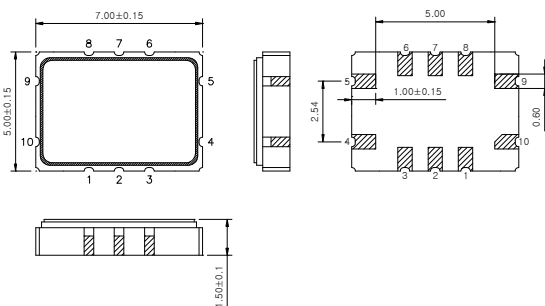
Tested by SGS Testing Korea

2. Electrical Specifications

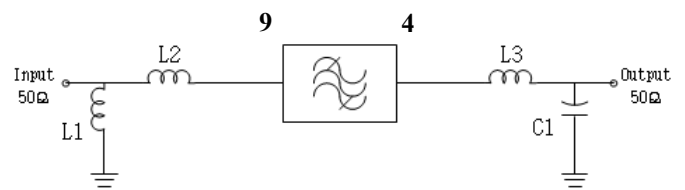
Source and Load Impedance = 50Ω

Room Temperature : +25°C		Minimum	Typical	Maximum
Center Frequency (fo)	MHz	-	140.0	-
Insertion Loss	dB	-	15.5	17.0
1dB Bandwidth	MHz	1.0	1.08	-
3dB Bandwidth	MHz	-	1.63	-
40dB Bandwidth	MHz	-	4.16	4.3
Amplitude Ripple (fo ± 0.25 MHz)	dB	-	0.5	1.0
Group Delay Variation (fo ± 0.25 MHz)	nsec	-	140	250
Absolute Delay	usec	-	0.92	-
Ultimate Rejection	dB	40	45	-
Temperature Coefficient of Frequency	ppm/°C ²	-	-0.03	-

S7050 Package Dimension



Matching Network Configuration



L1 = 15nH, L2 = 120nH, L3 = 180 nH

C1 = 43pF

Pin Configuration

Pin Configuration			
Input	9	Ground	5,10
Output	4	Others	Ground

3. Typical Performance (at +25°C)

