

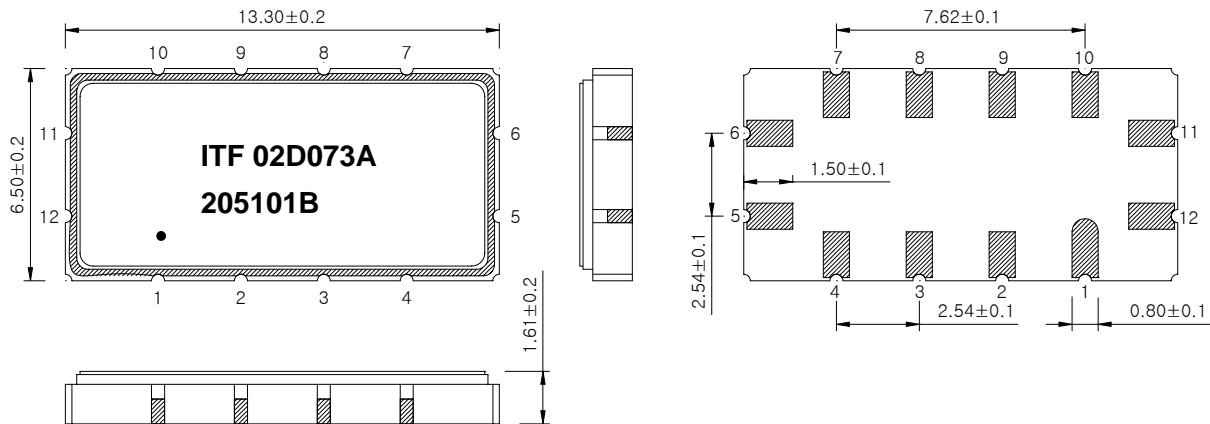
SAW Bandpass Filter 205101B



Features

- IF bandpass filter
- High attenuation
- 50 ohms single-ended operation
- SMD Package 13.3mm × 6.5mm × 1.6mm

Package Dimension



Package S1365

Dimensions shown are nominal in millimeters

Body : Al₂O₃ Ceramic

Lid : Kovar, Ni Plated

Terminations : Au plating 0.3 ~ 1.0 um,

Over a 1.27 ~ 8.89 um Ni Plating

Pin Configuration

11	Input
5	Output
6, 12	Ground
1, 2, 3, 4, 7, 8, 9, 10	Case ground

Maximum Ratings

Parameter	Unit	Minimum	Typical	Maximum
Operation Temperature Range	°C	-10	25	60
Storage Temperature Range	°C	-40	-	85

Electrostatics Sensitive Device (ESD)

	ITF Co., Ltd. 102-901, Bucheon Technopark 364, Samjeong-Dong, Ojeong-Gu, Bucheon-City, Gyeonggi-Do, Korea 421-809	Part No.	205101B	
		Rev. Date	2004-07-14	
		Rev.	NR3006-AS32	1/7

SAW Bandpass Filter 205101B



Electrical Specification

$F_c = 70.0\text{MHz}$

Terminating source impedance : 50Ω and matching network

Terminating load impedance : 50Ω and matching network

		Minimum	Typical	Maximum
Center Frequency at room temp.	MHz	69.955	70.0	70.044
Insertion Loss	dB	-	5.0	6.0
3dB Bandwidth	MHz	0.030	0.035	-
40dB Bandwidth	MHz	-	0.170	0.200
Absolute Group Delay at F_c	usec	-	15	-
Group Delay Variation at 3dB	usec	-	5	-
Relative Attenuation				
0.3 MHz ... 69.8 MHz	dB	50	55	-
70.2 MHz ... 71.0 MHz		35	40	
71.0 MHz ... 75.0 MHz		50	55	
Temperature Coefficient of Frequency	ppm/ $^{\circ}\text{C}^2$	-	-0.03	-

Notes :

- 1) All specifications are based on the matching schematic shown below, measured by Agilent Network analyzer and full 2 port calibration.
- 2) All attenuation measurements are measured relative to insertion loss

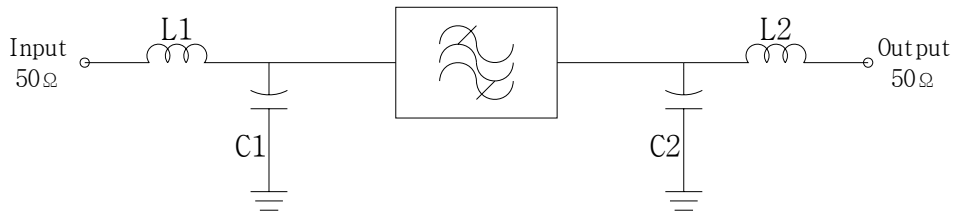
	ITF Co., Ltd. 102-901, Bucheon Technopark 364, Samjeong-Dong, Ojeong-Gu, Bucheon-City, Gyeonggi-Do, Korea 421-809	Part No.	205101B	
		Rev. Date	2004-07-14	
		Rev.	NR3006-AS32	2/7

SAW Bandpass Filter 205101B



Matching Schematic

(Actual matching values may vary due to PCB layout and parasitics)



L1, L2 = 680 nH


C1, C2 = 0.5 pF

Marking Configuration

ITF¹⁾ 02D073²⁾ A³⁾

205101B⁴⁾

- 1) Manufacturer name
- 2) Lot Number
- 3) Group Name (**refer to the next page)
- 4) Part Number


 Integrated Technology Future	ITF Co., Ltd. 102-901, Bucheon Technopark 364, Samjeong-Dong, Ojeong-Gu, Bucheon-City, Gyeonggi-Do, Korea 421-809	Part No.	205101B	
		Rev. Date	2004-07-14	
		Rev.	NR3006-AS32	3/7

SAW Bandpass Filter 205101B



Marking Example

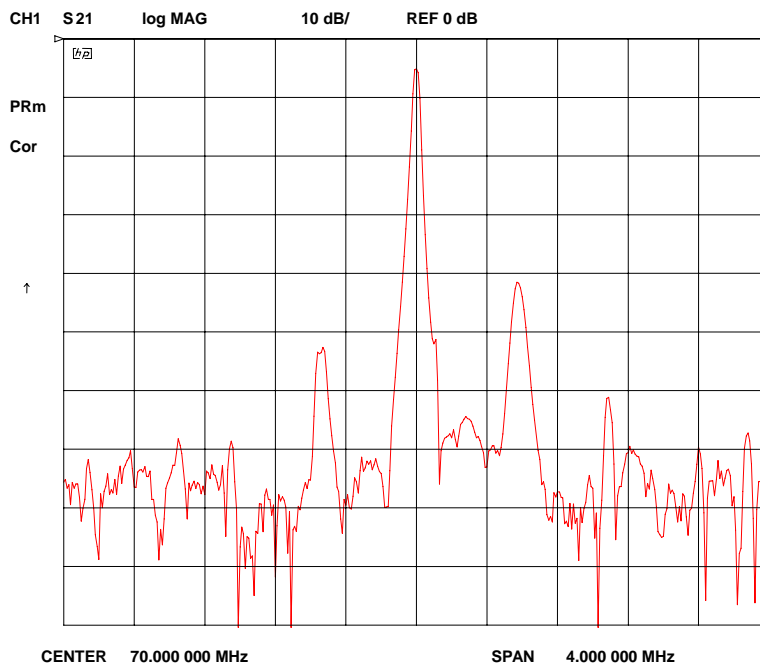
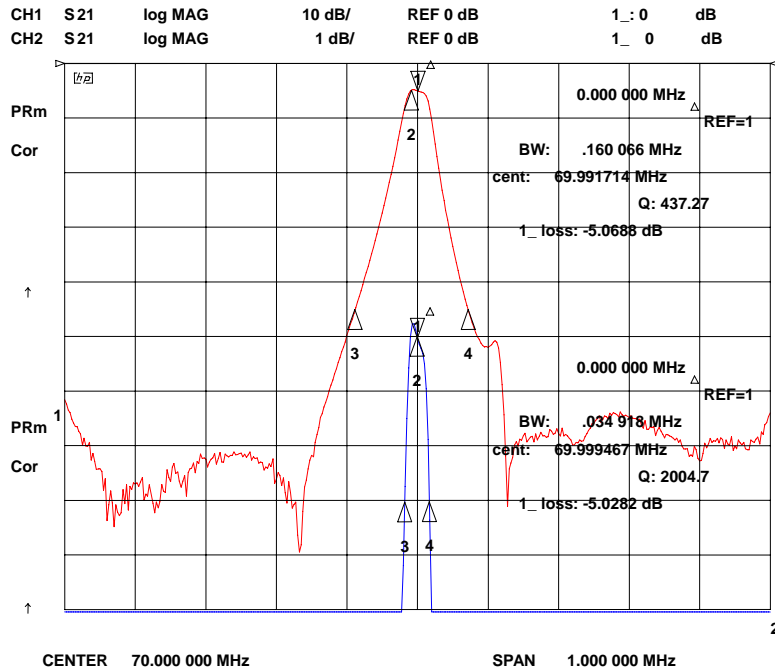
Center Frequency Range (MHz) at room temp.	Marking
69.955~69.964	ITF 02D073A 205101B
69.965~69.974	ITF 02D073B 205101B
69.975~69.984	ITF 02D073C 205101B
69.985~69.994	ITF 02D073D 205101B
69.995~70.004	ITF 02D073E 205101B
70.005~70.014	ITF 02D073F 205101B
70.015~70.024	ITF 02D073G 205101B
70.025~70.034	ITF 02D073H 205101B
70.035~70.044	ITF 02D073I 205101B


	ITF Co., Ltd. 102-901, Bucheon Technopark 364, Samjeong-Dong, Ojeong-Gu, Bucheon-City, Gyeonggi-Do, Korea 421-809	Part No.	205101B	
		Rev. Date	2004-07-14	
		Rev.	NR3006-AS32	4/7

SAW Bandpass Filter 205101B



Typical Performance (at +25°C)



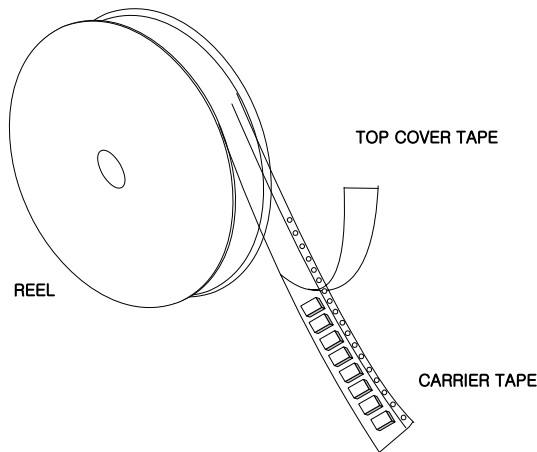
	ITF Co., Ltd. 102-901, Bucheon Technopark 364, Samjeong-Dong, Ojeong-Gu, Bucheon-City, Gyeonggi-Do, Korea 421-809	Part No.	205101B	
		Rev. Date	2004-07-14	
		Rev.	NR3006-AS32	5/7

SAW Bandpass Filter 205101B



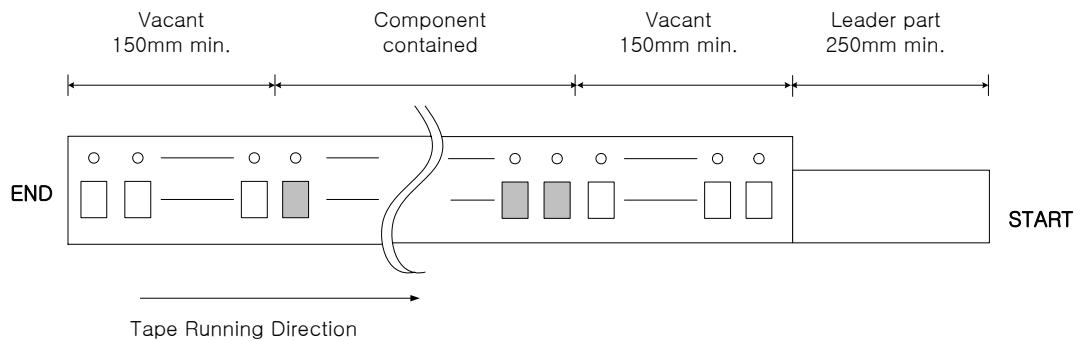
Packing Specification

1. Reeling Quantity : 2000 pcs / reel
2. Taping Structure : The tape shall be wound around the reel in the direction shown below.



Tape Specification

1. Leader part and vacant position specification

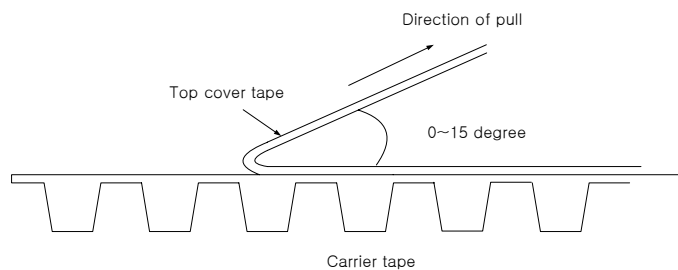



2. Tensile strength of carrier tape

4.4N/mm width

3. Top cover tape adhesion

- 1) pull off angle : 0~15°
- 2) speed : 300mm/min
- 3) force : 20~70g

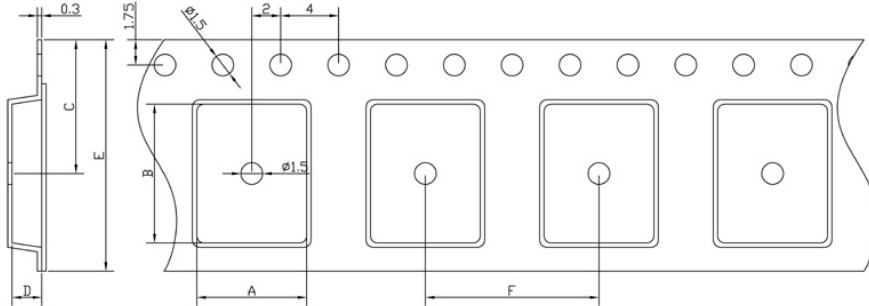


	ITF Co., Ltd. 102-901, Bucheon Technopark 364, Samjeong-Dong, Ojeong-Gu, Bucheon-City, Gyeonggi-Do, Korea 421-809	Part No.	205101B	
		Rev. Date	2004-07-14	
		Rev.	NR3006-AS32	6/7

SAW Bandpass Filter 205101B

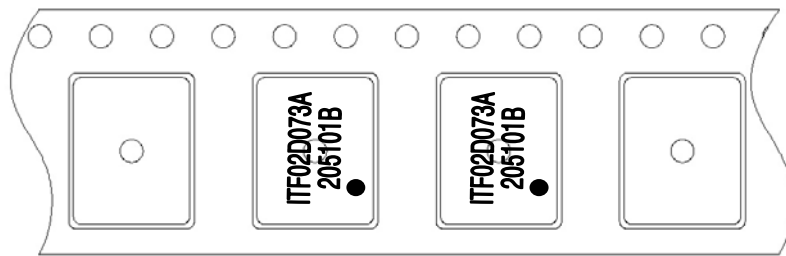


Carrier Tape Dimensions [unit : mm]



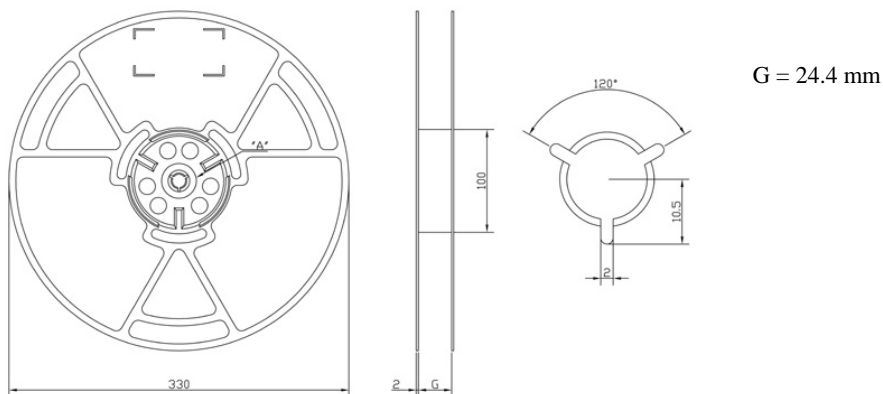
A	7.00 ± 0.1
B	13.80 ± 0.1
C	13.25 ± 0.1
D	1.95 ± 0.1
E	24.00 ± 0.1
F	12.00 ± 0.1

Part Direction



→
Tape Running Direction

Reel Dimensions [unit : mm]



	ITF Co., Ltd. 102-901, Bucheon Technopark 364, Samjeong-Dong, Ojeong-Gu, Bucheon-City, Gyeonggi-Do, Korea 421-809	Part No.	205101B	
		Rev. Date	2004-07-14	
		Rev.	NR3006-AS32	7/7