

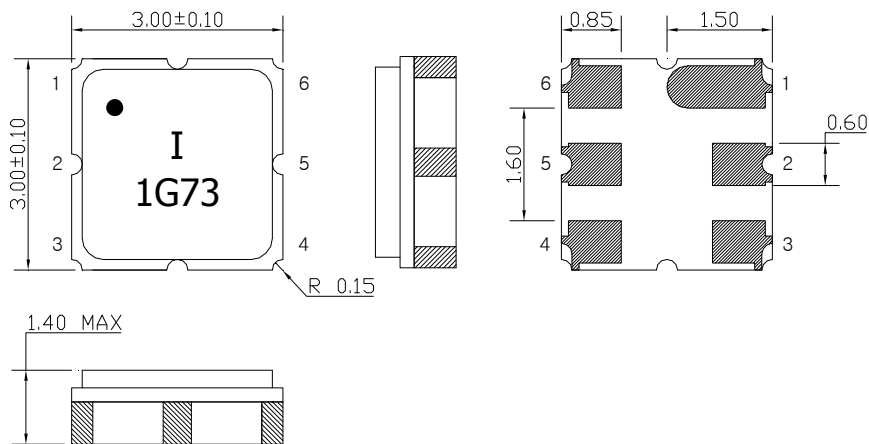
# SAW Bandpass Filter F1G73



## Features

- RF bandpass filter for GSM
- Usable Bandwidth 45MHz
- No matching single-ended operation
- Ceramic Surface Mounted Device Package ( 3.0 mm × 3.0 mm )
- RoHS Compliant

## Package Dimension



Dimensions shown are nominal in millimeters

Body : Al<sub>2</sub>O<sub>3</sub> Ceramic

Lid : Kovar, Ni Plated

Terminations : Au plating 0.3 ~ 1.0 um, Over a 1.27 ~ 8.89 um  
Ni Plating

Pin Configurations	
2	Input
5	Output
1, 3, 4, 6	Case ground

## Maximum Ratings

Parameters	Unit	Minimum	Typical	Maximum
Operating Temperature Range	℃	-30	25	85
Storage Temperature Range	℃	-40	-	95
Power Handling Capability	dBm	-	-	13

Electrostatics Sensitive Device (ESD)

	<b>ITF Co., Ltd.</b> 102-901, Bucheon Technopark 364, Samjeong-Dong, Ojeong-Gu, Bucheon-City, Gyeonggi-Do, Korea 421-809	Part No.	FIG73	
		Rev. Date	2014-03-19	
		Rev.	NC9009-AS02	1/7

# SAW Bandpass Filter F1G73




## Specifications

Fo = 1732.5 MHz

	Minimum	Typical	Maximum	Unit
Center Frequency ( Fc )	-	1732.5	-	MHz
Insertion Loss (In Fc ± 22.5 MHz)	-	2.5	3.5	dB
Amplitude Ripple (In Fc ± 22.5 MHz)	-	1.0	2.0	dB
VSWR (In Fc ± 22.5 MHz)	-	1.6	2.5	
Relative Attenuation				dB
1500.0MHz ~ 1670.0MHz	25	37	-	
1795.0MHz ~ 2000.0MHz	25	40	-	
Input/Output Impedance		50		Ohm

### Notes :

- 1) All specifications are based on the matching schematic shown below
- 2) All specifications are measured by Agilent Network analyzer and full 2 port calibration at room temperature
- 3) All attenuation measurements are measured relative to insertion loss

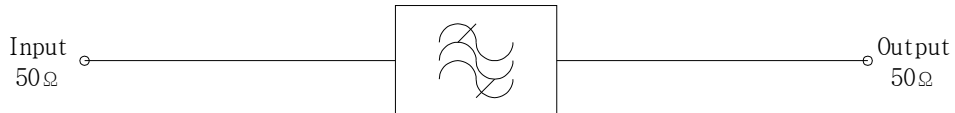
	<b>ITF Co., Ltd.</b> 102-901, Bucheon Technopark 364, Samjeong-Dong, Ojeong-Gu, Bucheon-City, Gyeonggi-Do, Korea 421-809	Part No.	FIG73	
		Rev. Date	2014-03-19	
		Rev.	NC9009-AS02	2/7

# SAW Bandpass Filter F1G73



## Matching Schematic

( Actual matching values may vary due to PCB layout and parasitics )



## Marking Configuration

●<sup>1)</sup>  
I<sup>2)</sup>  
1G73<sup>3)</sup>

1) Pad Number 1 Index

2) Manufacturer name

3) Marking Number

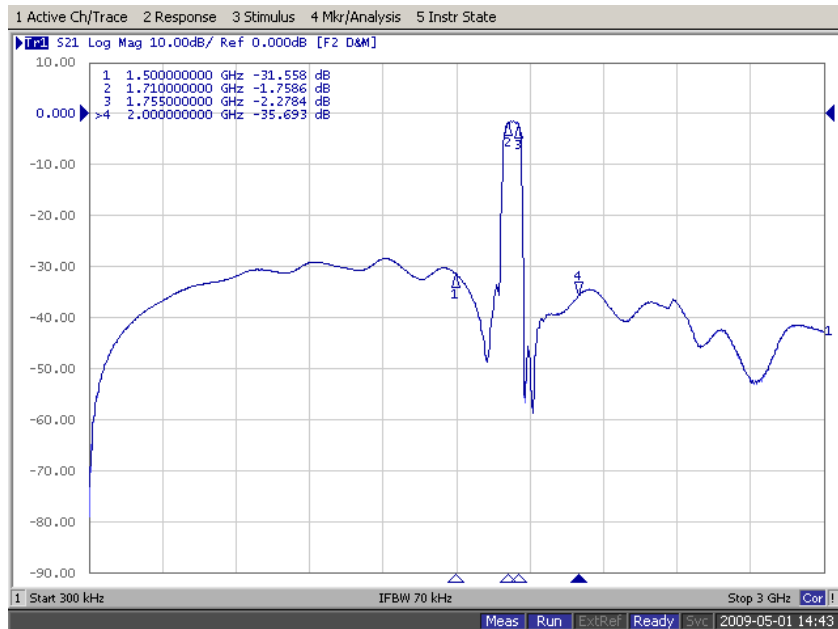
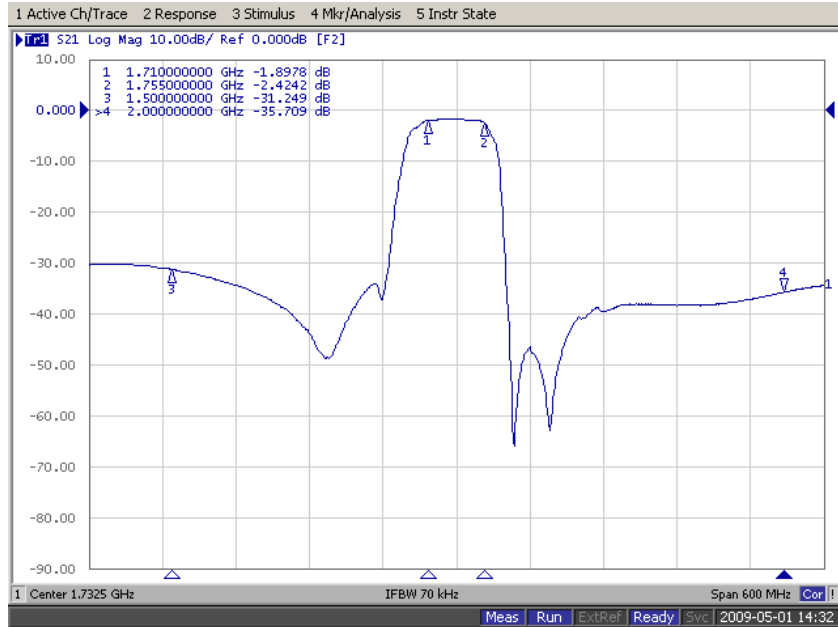
\* Ink or Laser Marking available

	<b>ITF Co., Ltd.</b> 102-901, Bucheon Technopark 364, Samjeong-Dong, Ojeong-Gu, Bucheon-City, Gyeonggi-Do, Korea 421-809	Part No.	FIG73	
		Rev. Date	2014-03-19	
		Rev.	NC9009-AS02	3/7

# SAW Bandpass Filter F1G73



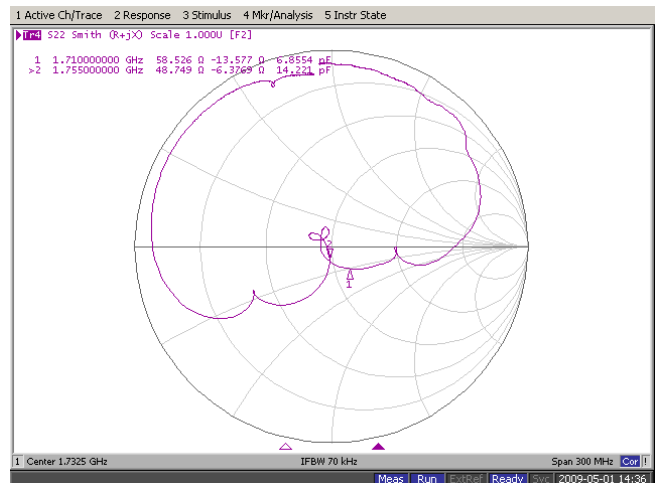
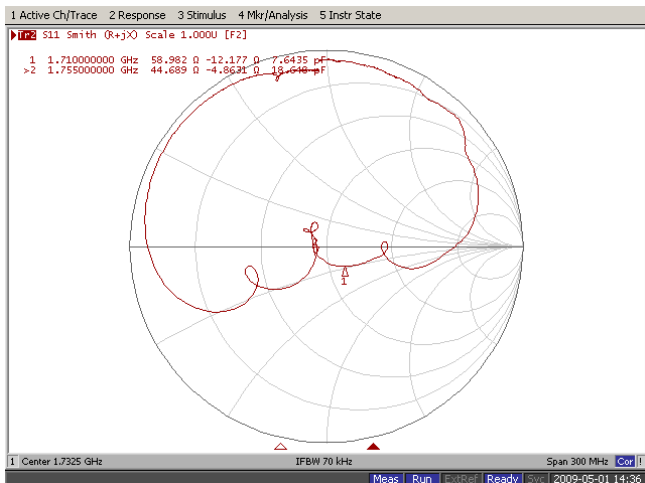
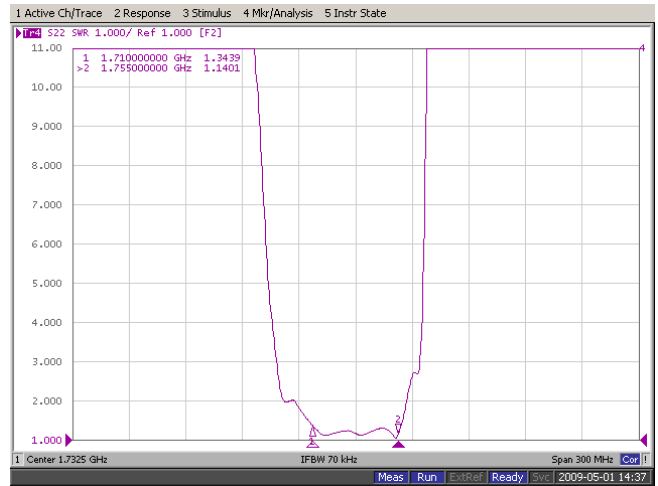
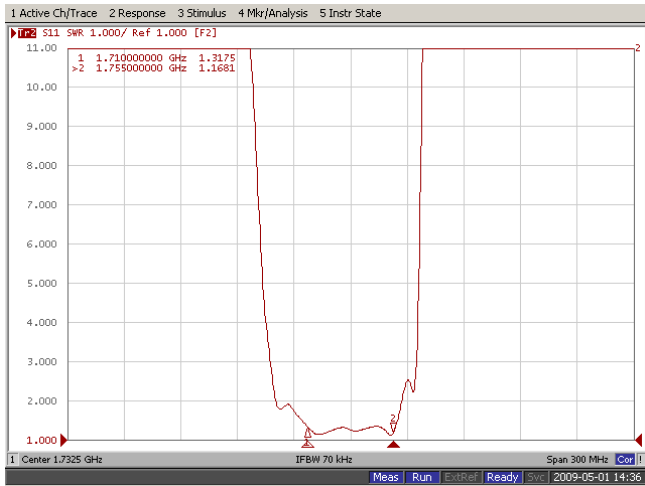
## Typical Performance ( at +25°C )



**ITF Co., Ltd.**  
 102-901, Bucheon Technopark 364,  
 Samjeong-Dong, Ojeong-Gu, Bucheon-City,  
 Gyeonggi-Do, Korea 421-809

Part No.	FIG73	
Rev. Date	2014-03-19	
Rev.	NC9009-AS02	4/7

# SAW Bandpass Filter F1G73



**ITF Co., Ltd.**  
 102-901, Bucheon Technopark 364,  
 Samjeong-Dong, Ojeong-Gu, Bucheon-City,  
 Gyeonggi-Do, Korea 421-809

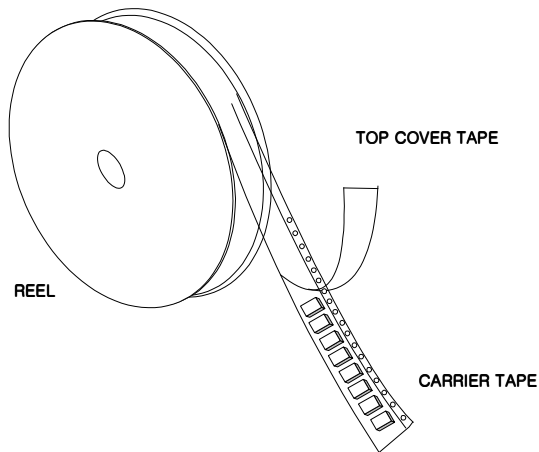
Part No.	FIG73	
Rev. Date	2014-03-19	
Rev.	NC9009-AS02	5/7

# SAW Bandpass Filter F1G73



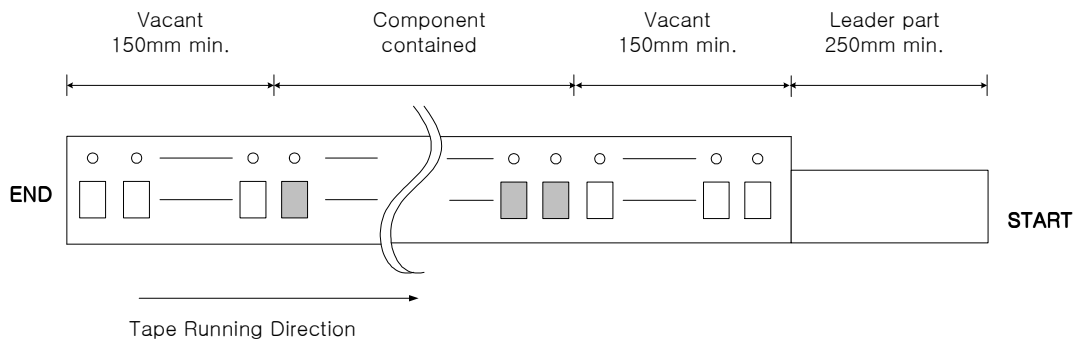
## Packing Specification

1. Reeling Quantity : 3000 pcs / 13" reel ( or 1000 pcs / 7" reel )
2. Taping Structure : The tape shall be wound around the reel in the direction shown below.



## Tape Specification

1. Leader part and vacant position specification

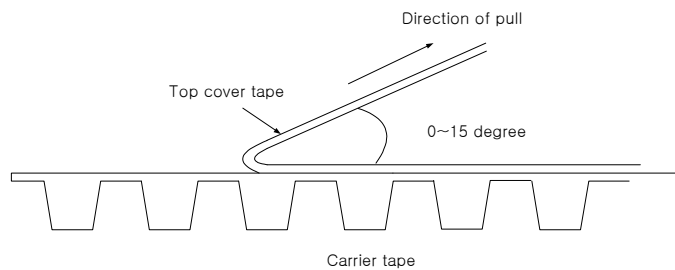


2. Tensile strength of carrier tape

4.4N/mm width

3. Top cover tape adhesion

- 1) pull off angle : 0~15°
- 2) speed : 300mm/min
- 3) force : 20~70g

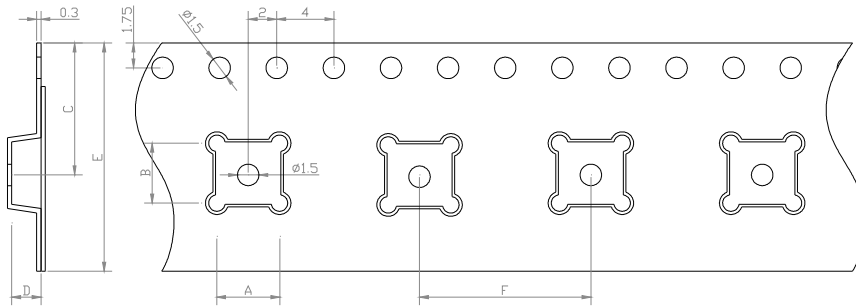


	<b>ITF Co., Ltd.</b> 102-901, Bucheon Technopark 364, Samjeong-Dong, Ojeong-Gu, Bucheon-City, Gyeonggi-Do, Korea 421-809	Part No.	FIG73	
		Rev. Date	2014-03-19	
		Rev.	NC9009-AS02	6/7

# SAW Bandpass Filter F1G73

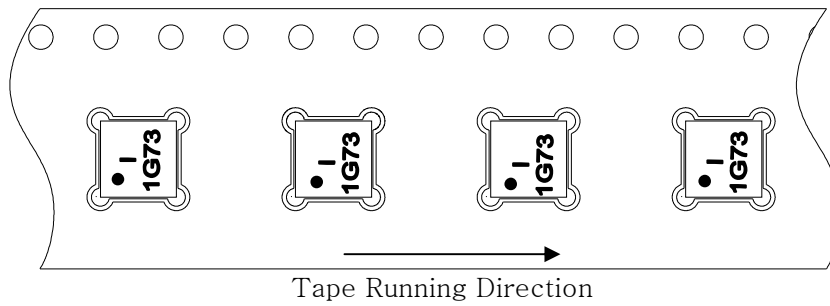


## Carrier Tape Dimensions [unit : mm]

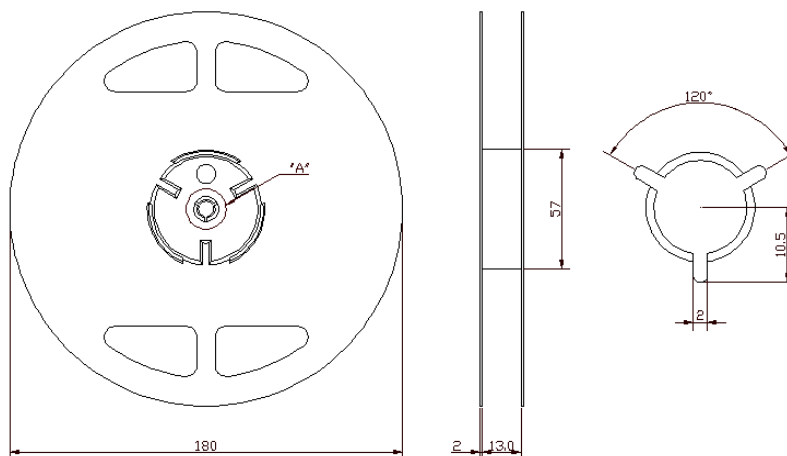


A	3.40 ± 0.1
B	3.40 ± 0.1
C	7.25 ± 0.1
D	1.70 ± 0.1
E	12.00 ± 0.1
F	8.00 ± 0.1

## Part Direction



## Reel Dimensions [unit : mm]



**ITF Co., Ltd.**  
 102-901, Bucheon Technopark 364,  
 Samjeong-Dong, Ojeong-Gu, Bucheon-City,  
 Gyeonggi-Do, Korea 421-809

Part No.

FIG73

Rev. Date

2014-03-19

Rev.

NC9009-AS02

7/7